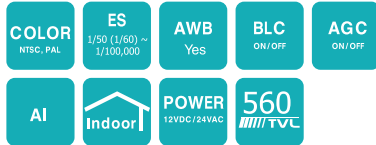


# ED350

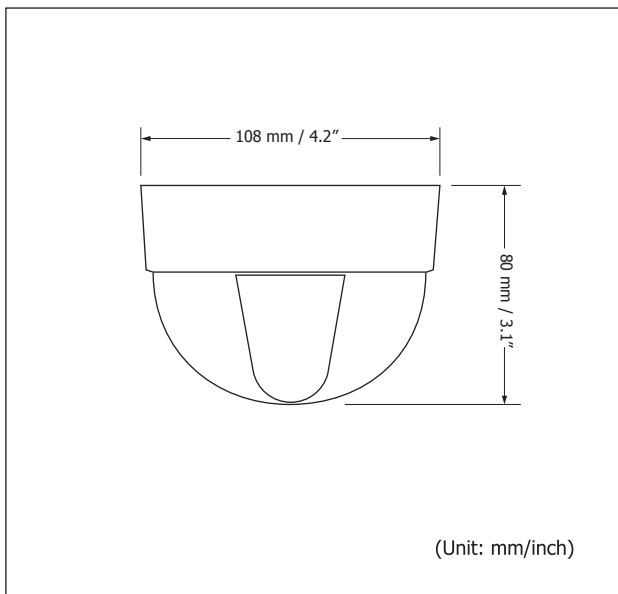
560 TVL Indoor Mini Color Dome Camera



## Features

- 1/3" Sony Super HAD CCD image sensor with approximately 410,000 pixels
- 560 TVL of horizontal resolution
- Revolutionary integrated 10-bit Digital Signal Processor (DSP) delivers sharp color images and excellent picture quality
- Compact size for discreet surveillance
- Light sensitivity 0.5 Lux/F=1.2
- Wide range automatic electronic shutter: up to 1/100,000
- Manual zoom lens with adjustable viewing range
- Pure Vision Technology
- Video BNC test cable on camera module
- Suitable for any discreet indoor application
- Available in black, white or gold base

## Dimensions



## Specifications

Pickup Device	1/3" Sony Interline Transfer Super HAD CCD
Video Format	NTSC or PAL
Picture Format	768 x 494 (NTSC) / 752 x 582 (PAL)
Horizontal Resolution	560 TVL
Video Output	BNC 1.0 Vp-p, 75 ohm
Sensitivity	0.5 Lux/F=1.2
S/N Ratio	Over 48dB (AGC Off)
Electronic Shutter	1/50 (1/60) ~ 1/100,000 sec.
Flickerless	On/Off switch
Backlight Comp.	On/Off switch
Auto Gain Control	On/Off switch
Auto White Balance	Yes
Sync. Mode	Internal
Gamma Correction	0.45
Iris Level	Adjustable
Lens	f=3.8~9.5mm/F=1.2 f=9~22mm/F=1.6
Power Source	12VDC / 24VAC
Power Consumption	24VAC: 5W max. / 12VDC: 3.5W max.
Dimension (W x H)	108 x 80 mm / 4.2" x 3.1"
Weight	0.32 kg / 0.7 lbs
Operating Temp.	0°C ~ 40°C / 32°F ~ 104°F
Humidity	20% ~ 80% humidity

## Ordering Information

- **ED350/N-1:** 560 TVL Color Mini Dome, 3.8~9.5mm Lens, Gold Base
- **ED350/NW:** 560 TVL Color Mini Dome, 3.8~9.5mm Lens, White Base
- **ED350/NB:** 560 TVL Color Mini Dome, 3.8~9.5mm Lens, Black Base
- **ED350/N-2:** 560 TVL Color Mini Dome, 9~22mm Lens, Gold Base