



PARAGON DVR

Ultra Friendly Design and Innovative Features



Ultra Friendly Design and Innovative Features



► Features

- Pentaplex Operation (Simultaneous live, recording, playback, archiving and remote viewing)
- User friendly GUI with graphical icons and visual indicators
- Multiple Control Inputs: mouse/front panel/remote control
- Free EverFocus DDNS Service
- Built-in DVR calculator for fast recording estimation
- Express Setup: Allows for quick & easy recording and network configuration
- Express Archive: Copy video files while playing back
- Express Playback: Simply point, click and drag the playback bar to view previous recordings
- Express Search: Use intuitive playback bar with a simple drag & drop operation
- Remote configuration support from built-in web interface
- Gigabit Ethernet interface for remote network viewing and controlling
- Real-time live display for all cameras
- On-screen PTZ control via mouse or front panel
- 2 Hot-Swappable or 4 Internal Hard Drives
- eSATA port for additional external storage
- Built-in DVD burner*
- 2 USB 2.0 ports (located on front panel) for video archive and mouse usage
- Audio recording capabilities
- Multi-language support
- Simultaneous VGA, Composite, and S-Video monitor outputs
- Watermark capabilities to identify intentional modifications of recorded data
- Rack mountable
- Support EKB500 keyboard control

*Features not available for all models

► Advantages

Intuitive Graphical User Interface

With an easy-to-use Graphical User Interface (GUI), users can perform specific actions on the **PARAGON™** Series DVR using the menu icons and visual indicators. Simply point and click to navigate through the different features.



Multiple Control Inputs

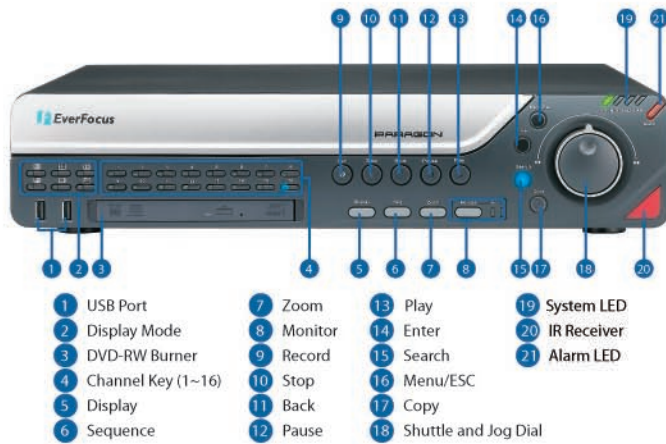
The **PARAGON™** Series offers multiple different control options. Choose from USB mouse, front panel keys, handheld infrared remote, EKB500 keyboard, or any combination of the above. Each of these makes use of the DVR's simple interactive interface.

Express Operations

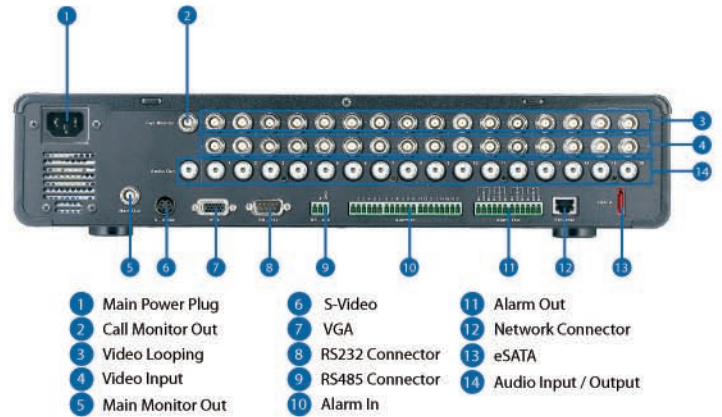
Hop on the **PARAGON™** Express! This series is engineered for fast, simple operation. Express menus for setup, archive, search, and playback make it quick and easy to use everything the DVR has to offer.

Major Operating Control

Front Panel Design

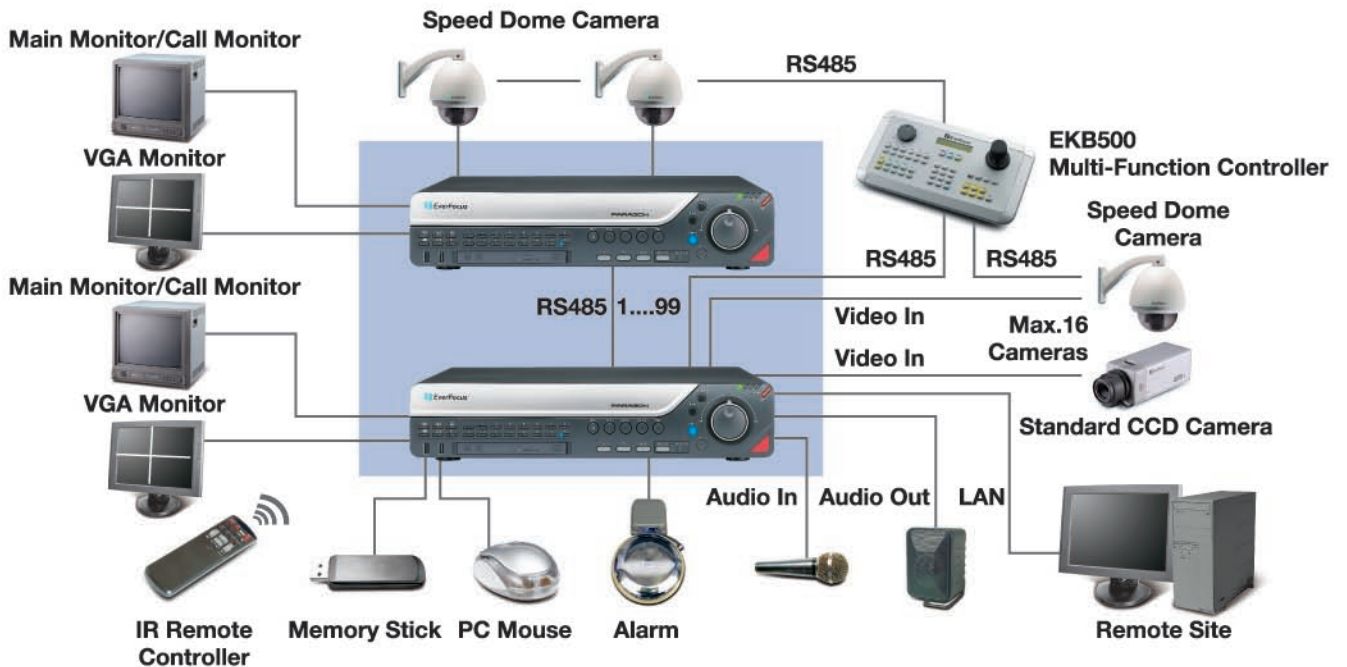


Back Panel Design



* Front panel and back panel are different on different models

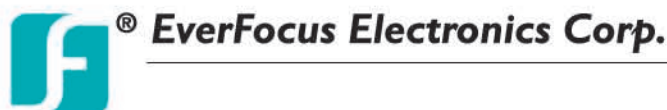
System Configuration



Ultra Friendly Design and Innovative Features

► Specifications

Maximum FPS	Up to 480 FPS
Video Format	NTSC/PAL
Display	Full, 4, 7, 9, 10, 13, 16, PIP and 2x2 zoom
Pentaplex Operation	Simultaneous live, recording, playback, archive and remote viewing
Video Input	8, 16
Looping Output	8, 16
Monitor Output	BNC Main, BNC Call, VGA Main, S-Video Main
Audio Input	8, 16
Audio Output	1
Recording Resolution	352x240 (CIF) 704x240 (Half D1) 704x480 (D1)
Recording Speed	CIF: 480/400 (NTSC/PAL) Half D1: 240/200 (NTSC/PAL) D1: 120/100 (NTSC/PAL)
Playback Speed	CIF: 480/400 (NTSC/PAL) Half D1: 240/200 (NTSC/PAL) D1: 120/100 (NTSC/PAL)
Playback Rate	CIF: 480/400 (NTSC/PAL) Half D1: 240/200 (NTSC/PAL) D1: 120/100 (NTSC/PAL)
Compression	MPEG4 Compression
Recording Mode	Manual, Schedule and Event
Playback Search	By Date, Time and Event
Alarm Inputs	8, 16
Alarm Outputs	4
Video Pause	Yes
Video Loss Detection	Yes
Motion Detection	Yes
Event Log	Yes
Watchdog Timer	Yes
Internal HDD	4 Internal or 2 Hot-Swappable
External HDD	1 eSATA
Built-in DVD Burner	Optional
User Interface	Graphical User Interface (GUI) menu setting
OS	Embedded Linux
Network Connection	RJ45 Gigabit Ethernet
Network Protocol	TCP/IP, DHCP or PPPoE
DDNS	Free DDNS service
PTZ Control	On Screen Display and Network Viewer
PTZ Protocol	EverFocus, Pelco-D, Pelco-P, Samsung, Transparent
USB	2 USB 2.0 port on front panel
User Access	3 levels of user access support
RS-232	9-pin D-sub socket (male)
RS-485	Terminal connector
Power Source	100VAC~240VAC
Power Consumption	150W max.
Weight	7.3 kg. / 16 lbs.
Dimension (L W x H)	430 x 410 x 88mm / 16.9" x 16.2" x 3.5"
Temperature	0°C ~ 40°C / 32°F ~ 104°F (20~80% humidity)
Certificates	CE, FCC, UL



EverFocus Electronics Corp.

Head Office:

12F, No.79 Sec. 1 Shin-Tai Wu Road,
Hsi-Chih, Taipei, Taiwan
TEL: +886-2-26982334
FAX: +886-2-26982380
www.everfocus.com.tw

U.S.A - California Office:

1801 Highland Ave. Unit A
Duarte, CA 91010, U.S.A.
TEL: +1-626-844-8888
FAX: +1-626-844-8838
www.everfocus.com

China Office:

Room B-05D-1, KESHI PLAZA, Shangdi Information
Industry Base, Haldian District, Beijing China 100085
TEL: +86-10-62973336/37/38/39 FAX: +86-10-62971423
www.everfocus.com.cn

Japan Office:

1809 WBG MARIBU East 18F, 2-6 Nakase.Mihama-ku.
Chiba city 261-7118, Japan
TEL: +81-43-212-8188 FAX: +81-43-297-0081
www.everfocus.co.jp

U.S.A - New York Office:

415 Oser Avenue Unit S
Hauppauge, NY 11788
TEL: +1-631-436-5070
FAX: +1-631-436-5027
www.everfocus.com

Europe - Germany Office:

Albert-Einstein-Strasse 1
D-46446 Emmerich, Germany
TEL: +49-2822-9394-0
FAX: +49-2822-9394-95
www.everfocus.de

Notice:

© 2005-2008 EverFocus Electronics Corp. EverFocus is a registered trademark of EverFocus Electronics Corp. All rights reserved. Product features and specifications are subject to change without notice. No parts or contents of this datasheet may be reproduced or transmitted in any form or by any means without permission from EverFocus. Not all models featured are available in all countries. For accessories and other product information, please visit www.everfocus.com

1. Safety Precaution: Please read all operating instructions and installation manual carefully before using this product.
2. EverFocus is not responsible for network performance and/or other manufacturer products that reside on the network.
3. All product weights and dimensions are approximate.
4. All products may be subject to export control regulations.
5. All product photographs were taken for the purpose of explanation. Actual images may differ.
6. This datasheet is designed and printed in Taiwan.

Distributed by