

RM7

Vandal-Resistant Recessed Ceiling Mount Dome



"Videolarm's RM7 provides the functionality and security of a discrete low profile recessed ceiling mount dome with a rugged vandal-resistant construction. Engineered for both indoor and outdoor scenarios, and designed for plenum ceiling applications, the RM7 is ideal for tactical surveillance in urban schools and office/business environments."

- Vandal-resistant, strong polycarbonate lower dome, available either clear or tinted
- Compatible with most major camera manufacturers – Fixed and PTZ (MLC 7.5")
- Available in both outdoor/indoor models. Outdoor models include heater blower systems to maintain camera temperature and eliminate condensation
- IP Network models available with internal power supply providing 12vdc power for camera and external 110vac power supply that provides 24vac to the dome
- Housing extends only 4.7" below ceiling
- Plenum fire rating metal top
- Designed to be water and dust tight, IP66
- Includes a decorative trim ring with safety lanyard and captive security fasteners
- Easy installation and servicing from below the ceiling or overhang

RM7

The RM7 is a low profile indoor/outdoor recessed ceiling mount dome housing. It features a 7" polycarbonate dome, which accommodates both fixed and PTZ cameras up to 7.5" in length. The upper body, made of heavy 10-gauge aluminum and a white powder coat cast trim ring, is UL Listed for non fire resistant plenum ceiling applications. Unit is completely water and dust tight (IP66 rated) and has optional heater/blower.

Outdoor and Indoor models for both Fixed and PTZ cameras:

Outdoor Model for PTZ Camera:
RM7C2N: IP Network compatible housing for PTZ network cameras, 24vac input, 18/12vdc output for camera, clear dome, heater/blower, and 110vac wall transformer.

Outdoor Model for Fixed Camera:
RM7CF2N: IP Network compatible housing for fixed network cameras, 24vac input, 18/12vdc output for camera, clear dome, heater/blower, 110vac wall transformer, MCL 7.5"

Indoor Model for PTZ Camera:
IRM7TN: IP Network housing for PTZ network cameras, tinted dome.

Indoor Model for Fixed Camera:
IRM7TF: Analog camera housing for fixed camera, tinted dome.

Tinted and Clear Domes available for all models. Change "C" Clear or "T" Tinted

Mounting brackets are included and can accommodate most of today's popular cameras. To view an up-to-date listing of compatible cameras please visit www.videolarm.com/thirdparty.jsp

PTZ Compatible Cameras:

Axis: 213, 214, 231D, 232D, 233D

Canon: VB-C50iR, VC-C50iR, VC-C4R

DLink: DCS 6600 Series, DCS 5000 Series

Elmo: PTC-401CIP, PTC-400C, PTC-400C, PTC-200C

JVC: VN-C30U, VN-C625U, VN-C655U, TK-625U

Panasonic: BB-HCM381, WV-NS202

PIXORD: 261, 262, 263

Sony: SNC-RZ25, SNC-RZ30, SNC-RZ50

Toshiba: IK-WB21A

Vivotek: PZ6112

Fixed Cameras:

Accepts camera and lens up to 7.5" in length.



SView™ and Q-View™ Camera Systems:

SView Camera System:

RM7TN-9: Videolarm's own PTZ camera system capable of MPEG-4 & MJPEG video format, 230x Zoom (23x Optical and 10x digital), 18 presets, and 30/25 FPS @ Full D1. Indoor & Outdoor models available.

QView Multiple Camera:

QRMC_-_0NA: A multi-camera system without the need of pan/tilt devices. Up to 4 cameras (Hi-res Color or Day/Night Cameras). Indoor & Outdoor models available.

Easy installation & servicing from below ceiling:

Ideal for drop ceiling / overhang applications, the RM7 not only provides a monitoring solution but it has been engineered to save you from costly servicing fees by incorporating a unique and user-friendly design which allows installers to service the item from below the ceiling.

Optional Components and Accessories:

EOC1N

High-Speed Ethernet over Coax converting analog video (co-ax) into high-speed Ethernet

CWKFD2

24Vac Cold Weather Kit for an additional heater and blower for Outdoor Domes in extremely cold weather

SPVRJ01

Data/Power Over Ethernet Power/Data Surge Protection

Mechanical Specifications

Size: 11.2" x 11.2" x 11.5"
(284 x 284 x 292mm)

Weight: 10 lbs (4.6 kg)

Construction Back Box: 10-gauge aluminum

Trim Ring: Die-cast aluminum

Dome: OptiClear™ polycarbonate

Electrical Specifications

Power requirements: 24vac, 27watts (va)
(Outdoor Models)

Environmental Specifications

Operating Temperature: -20° F to 120° F
(Outdoor Models) (-20° C to + 50° C)

Shipping Specifications

Model	Shipping Weight	Box Dimensions
RM7	15 lbs	21 x 13 x 13

Certifications and Ratings



UL Listed



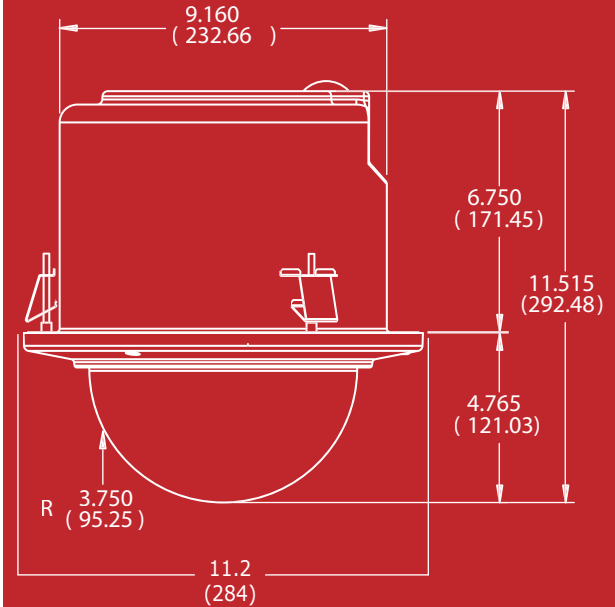
RoHS



WEEE



IP66 Rating



For full product specs, go to www.videolarm.com and use the search engine to navigate to a specific product page.