



SPECIAL FEATURES

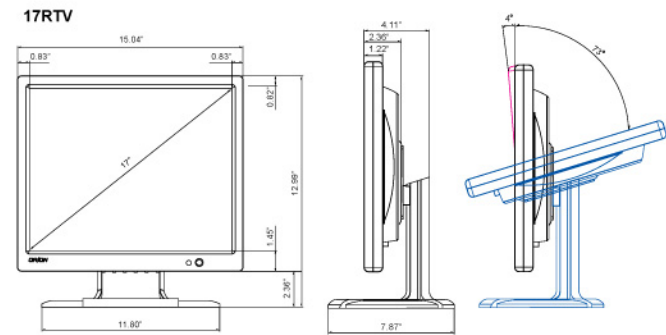
- LCD Protection Glass
- Multi Source
- 5ms Response, 300 NITS, 1000:1
- 3D Comb Filter / Deinterlace
- Built-In Speakers
- Multi-Language Support
- Touch Screen Optional
- Wall and Ceiling Mount

SPECIFICATIONS

		17RTV
Display	Screen Size	17 Inch
	Max. Resolution	1280 x 1024 @ 60Hz
	Pixel Pitch	0.264 x 0.264mm
	Brightness	300cd/m ²
	Contrast Ratio	1000 : 1
	Aspect Ratio	5 : 4
	Viewing Angle (H/V)	160° / 160°
	Display Color	16.7 Million
	Response Time	< 5ms
	Video System	NTSC / PAL
	Frequency (H)	31~64 KHz(H)
	Frequency (V)	56~75 KHz(V)
Interface	Video In / Out (BNC Type)	2 / 2
	S-Video In / Out	1 / 1
	VGA In (15Pin D-Sub)	1
	Audio In (RCA Type)	2(L + R)
	PC Stereo In	1
Transmitter	Remote Control	Yes
Audio	Built-in Speakers	Yes (2W x 2)
	Filter Type	3D Comb Filter / Deinterlace
Features	LCD Protection Glass	Yes
	Multi Language	English, Spanish, French, German, Italian, Dutch
Dimension	Outline Dimension	15.04" x 13" x 2.36"
	Net. Weight	5.96Kg (13.1lbs)
Cabinet	Color	Black
	Base Stand	Yes
	Tilt Function	Yes
Warranty	Part/Labor	1year / 1year
	MTBF (Approx.)	50,000 Hours
Regulations		TUV-NRTL (=UL), CB, FCC (A), CE-Emc (LVD)
	Consumption: < On	< 40W
Power	Electrical Ratings	AC100 ~ 240V(50/60Hz)
		DC12V / 3A
Circumstance	Operating Temperature	10 ~ 40°C / 50 ~ 104°F
	VESA Mount Size	100 x 100mm (BS M4 x 10mm Screw)
Mounts	Wall	WB-5, WB-10, WB-30, WB-31
	Ceiling	CMK-01, RMK-08

*Design and Specs are subject to change without any notice

DIMENSIONS



MOUNT BRACKET

