

ARCHITECT & ENGINEER SPECIFICATIONS
SECTION 16780
VIDEO SURVEILLANCE SYSTEMS

SNC-DF70N Ruggedized High Resolution Day/Night Minidome Color Camera

PART 2 PRODUCTS

2.01 CCTV / NETWORK CAMERA SPECIFICATIONS

A. GENERAL REQUIREMENTS:

1. The SNC-DF70N shall be a CS mount, network enabled minidome color camera, utilizing a 1/4 type Super HAD™ interline transfer CCD. The camera has an analog video output producing 480 TV lines of horizontal resolution.
2. Network interface shall be via an 8-pin RJ-45 connector, 10 Base T /100 Base TX Ethernet.
3. The SNC-DF70N utilizes JPEG and MPEG-4 compression. Compression levels are user selectable in 5 levels of compression ratios, based on an image of 24bits per picture element (8bits each for YUV).
4. The SNC- DF70N shall incorporate a built-in web server, such that standard web browser Internet Explorer can be used to view the camera view without need for special viewer software. The supported operating system is Windows® 2000 and Windows XP. Minimum PC requirements shall be 1 GHz, Pentium® III Processor, with 256MB RAM or more supporting 1024X768 True Color display capability with Ethernet 100 Base T.
5. The SNC-DF70N shall be capable of supporting up to 20 users in the JPEG format or 10 users in the MPEG 4 format simultaneously over the network.
6. There shall be up to 4 user level settings. Access to functions shall be determined as follows:

a. User level 1	Viewing only
b. User level 2	Capture image
c. User level 3	Trigger relay outputs, capture images, FTP or Email image, & save image into memory
d. User level 4	All functions (Administrator)
7. Maximum frame rate capability of the SNC-DF70N over LAN is up to 18 frames per second on 640 X 480 capture size on JPEG and 15 frames per second on MPEG4.
8. The SNC-DF70N shall have a through put of :

MPEG-4	JPEG
640 x 480 @ 15 fps,	640 x 480 @ 18 fps,
320 x 240 @ 30 fps,	320 x 240 @ 30 fps,

9. Image sizes shall be user selectable for the following:

MPEG-4	JPEG
640 x 480	640 x 480
320 x 240	320 x 240
160 x 120	160 x 120

10. The SNC-DF70N shall incorporate a CCD iris function, which varies the automatic shutter automatically between the ranges of 1/60 to 1/100,000 sec.
11. The SNC-DF70N shall have a 6 pin I/O interface located on rear of the base. There shall be an alarm input port, and 2 Alarm/relay output ports. The Alarm input port shall be opto-isolated.
12. The SNC-DF70N shall support the following Network protocols: TCP/IP, DNS, RTCP, UDP, RTP, ARP, HTTP, ICMP, SMTP, FTP, DHCP, NTP and SNMP (MIB2). Network security shall be via Password (basic authentication) and IP filtering.
13. The SNC-DF70N shall have both FTP client and server capabilities.
14. The SNC-DF70N shall have user configurable port settings.
15. The SNC-DF70N shall be capable of dynamic IP address change notification. It shall accomplish this via an email to a specified address when its IP address changes.
16. The SNC-DF70N shall be capable limiting the bandwidth on all ports from 64kbps to 2048 mbps.
17. The SNC-DF70N shall have an internal image memory size of 8MB for alarm buffering.
18. The SNC-DF70N shall be capable of pre and post alarm buffering.
19. The SNC-DF70N shall be capable of specifying up to 10 users inclusive of administrator, and allow each user to have one of four levels of access.

B. CAMERA LENS SPECIFICATIONS:

1. The SNC-DF70N shall have a lens supplied as standard accessory .the lens shall be a 3.0 to 8mm DC type auto iris lens, F=1.0
2. The SNC-DF70N shall have a minimum object distance shall be 0.2m (0.66ft).
3. The SNC-DF70N optical system shall permit the camera to cover a large angle of view from 66.6° to 27° Horizontal by 49.3° to 20.2° Vertical.
4. The SNC-DF70N lens Zoom and Focus levers shall have locking screws.

C. VIDEO-ELECTRICAL REQUIREMENTS

1. The power connection shall be by means screw down mini terminals connector.
2. The SNC-DF70N scanning system shall be 525 lines, 60 fieldes/30 frames, and 2:1 interlace.
3. The video output of the SNC-DF70N shall meet the EIA/NTSC standard.
4. The SNC-DF70N color mini dome camera shall require a minimum scene illumination of: 0.9 lux at F1.0, @ 89.9% reflectance (50 IRE, AGC ON, Turbo On) in color mode; and 0.2 lux at F1.0, 89.9% reflectance (50 IRE, AGC ON, Turbo On) in B/W mode.
5. The SNC-DF70N Camera synchronization shall be Internal.
6. The SNC-DF70N shall be have Normal AGC of 18dB, and an additional 6dB for Turbo AGC for a total range of 24dB.
7. The composite video output shall be 1.0 V peak to peak @ 75 ohms.
8. The video signal to noise ratio shall be 50dB (Normal AGC, Weight ON).
9. The SNC-DF70N shall employ a center weighted backlight compensation system, and shall be dip switch on/off selectable.
10. The SNC-DF70N shall be capable of being externally triggered to change from color to b/w modes. The cameras shall also be capable of switching between color and b/w modes automatically.
11. The SNC-DF70N shall be capable of auto switchover from color to b/w and vice versa, shall be selectable for short, or long via dip switch selection.
12. The SNC-DF70N shall have a continuously variable shuttering capability, a feature called CCD Iris mode. CCD iris mode shall be from 1/60 to 1/100,000 sec, and shall be used only with manual iris, CS mount lenses.
13. The SNC-DF70N shall employ Auto Tracking White (ATW) balance.
14. The Auto tracking white (ATW) balance range shall be 2,000 degrees Kelvin to 10,000 degrees Kelvin.

D: AUDIO REQUIREMENTS:

1. The SNC-DF70N shall support audio. Audio compression standards supported shall be G.711 (64kbps) & G.726 (40, 32, 24, 16Kbps).
2. The SNC-DF70N shall also support an external microphone. External microphone connectivity shall be via a single channel stereo type mini- jack, supporting 2.4 VDC power at 4.7 ohm external microphone input.
3. The SNC-DF70N shall support an external active speaker via a mini-jack. Audio output shall be a maximum level of 1Vrms.
4. The SNC-DF70N shall be capable of bi-direction audio transmission.

E: MECHANICAL REQUIREMENTS:

1. SNC-DF70N camera lens mount shall be CS type.
2. The SNC-DF70N camera shall be a CS mount type, IP66 rated, impact resistant, in a MiniDome type configuration. It shall come equipped with a 3 – 8mm F1.0 DC auto iris, IR compensated lens.
3. The SNC-DF70N main body shall be constructed of aluminum diecast, and the lower clear dome shall be 3mm polycarbonate.
4. The SNC-DF70N body shall have 3/4” thread for direct connection with a conduit pipe, located on the rear of the camera, as well as on the side of the main body. A removable threaded cap shall be used to seal the unused conduit access.
5. The SNC-DF70N shall support 1 optically isolated Alarm or sensor input, and 2 relay outputs via a pin push type spring lock connector.
6. Relay outputs shall be rated at 1 Amp at less than 24V DC
7. Video output connector from the DF70N shall be a two (2) pin mini – jack screw down connector to a pigtail BNC type of connector.
8. The SNC-DF70N dimensions shall be 6.4566 (W) 5.1996 (H) 6.5354(D) inches, 164.5mm (W) x 132mm (H) x 166.1mm (D).
9. The SNC-DF70N shall weigh approximately 3lb .3oz (1500g).
10. The CCD/lens combination shall be user settable at ± 150 degrees Pan, and Tilt of ± 75 degrees, lens leveling rotation of ± 150 degrees.
12. A black sleeve shall be incorporated such that only the lens viewing area is exposed to via the lower clear dome cover.
13. The angle of the CCD / lens assembly shall be fixed via a locking screw.

F. POWER REQUIREMENTS

1. The SNC-DF70N power requirements shall be AC24 V 50/60 Hz or DC12V.
2. The SNC-DF70N shall support Power Over Ethernet (PoE) 802.3af standard.
3. Power consumption for the SNC-DF70N shall be 7.5 watts maximum.

G. ENVIRONMENTAL REQUIREMENTS

1. The operating temperature shall be 14°F to 122°F (-10°C to +50°C)
2. Storage temperature shall be within -4°F to 140°F (-20°C to +60°C)

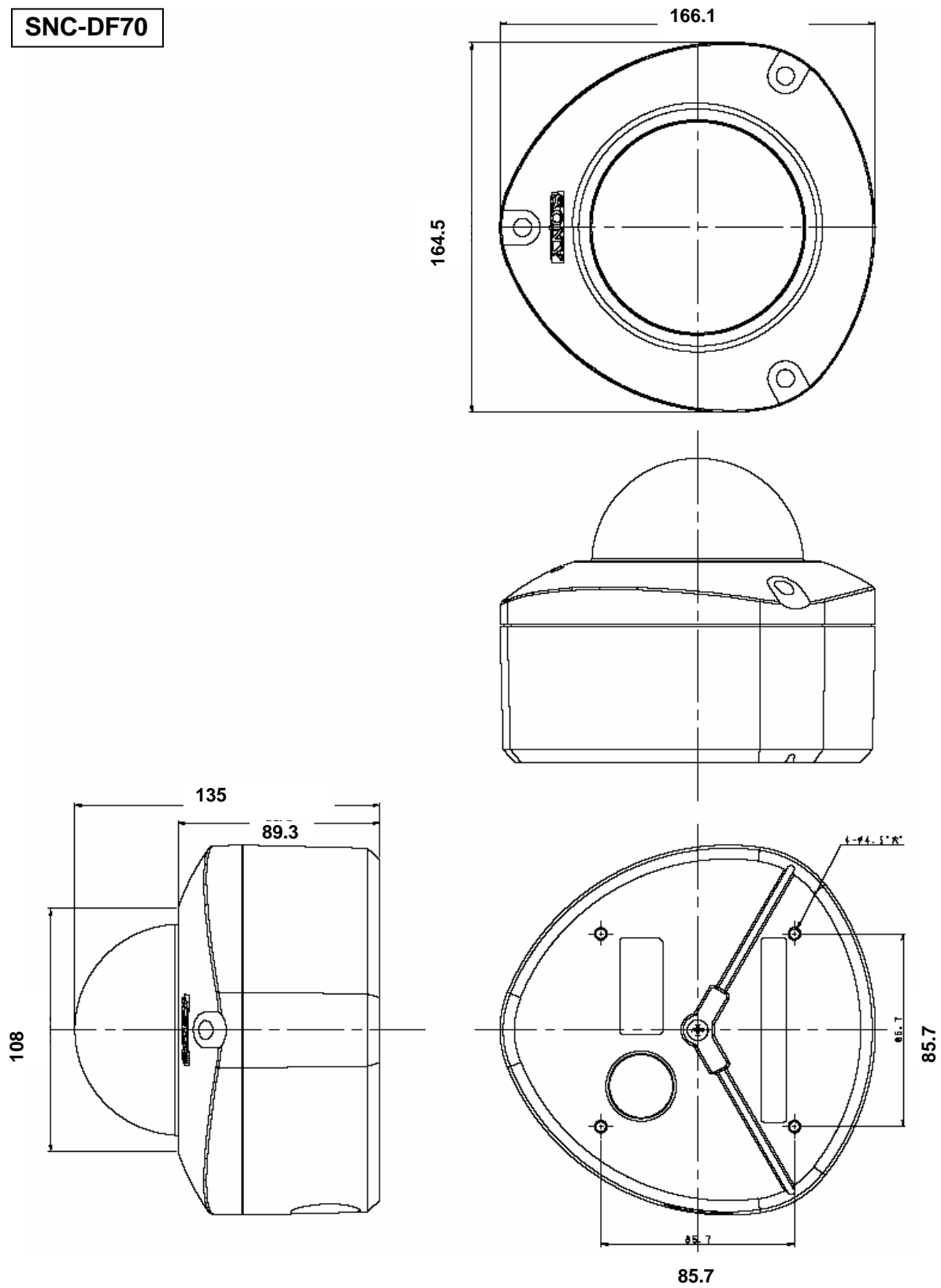
H. SYSTEM REQUIREMENTS

1. Operating system requirements: Microsoft Windows 2000/XP.
2. Minimum processor requirements: Pentium III, 1 GHz or higher.
3. Minimum memory requirements : 256MB RAM
4. Web browser requirements: shall be Internet Explorer version 5.5 or 6.0.

I. SUPPLIED ACCESSORIES

1. CD ROM containing User guide & setup program (1)
2. Installation manual (1)
3. Wire rope (1)
4. Installation screws (2)
5. Dome cover (1)
6. Mini power connector
7. Warranty card

SNC-DF70



©2005 Sony Electronics Inc. All rights reserved. Features and specifications are subject to change without notice. Non-metric weights and measurements are approximate. Sony and Super HAD are trademarks of Sony. Windows and Internet Explorer are trademarks of Microsoft Corporation. Pentium is a trademark of Intel Corporation.