

BRACKETS - Parapet Mounts PRM30G / WM30G

DESCRIPTION

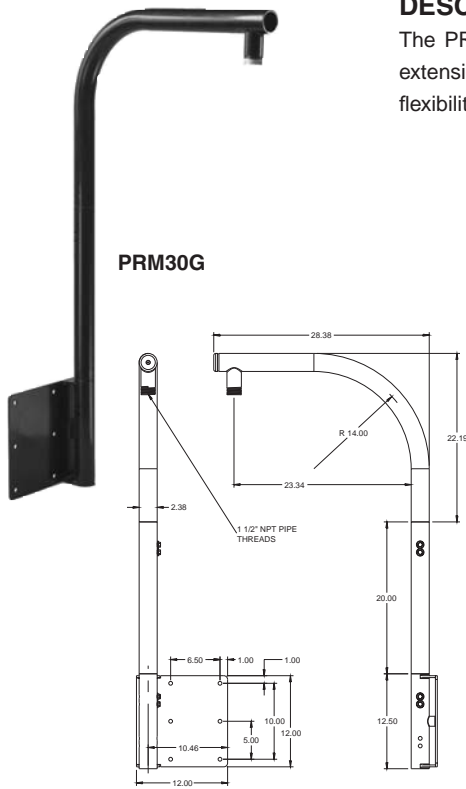
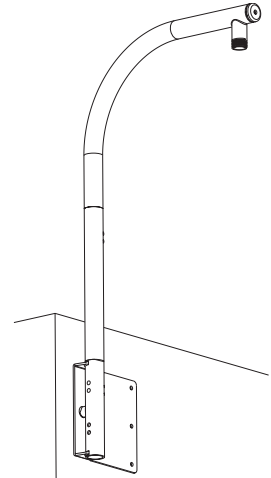
The PRM30G is designed to be used on roof top parapets, and features a 1 1/2" pipe thread. An extension piece is included, which features an access plug on the end for wire pulls, and allows more flexibility in mounting. The design allows the dome to be swung back over the roof for servicing.

FEATURES

- All aluminum construction
- Durable powder coat finish
- 1 1/2" pipe thread for quick and easy mounting
- Extension piece with access plug for wire pulls
- 50 lb load rating

APPLICATIONS:

The PRM30G may be used with pendant mount versions of the SuperDome™, PressurDome™, FusionDome™, and VLPW20. Not for use with the DeputyDome™.



SHIPPING SPECIFICATIONS

Model	Unit Weight	Shipping Weight	Shipping Box Dim.
PRM30G		Call manufacturer for details	

* Shipping weights depend on box dimensions.

DESCRIPTION

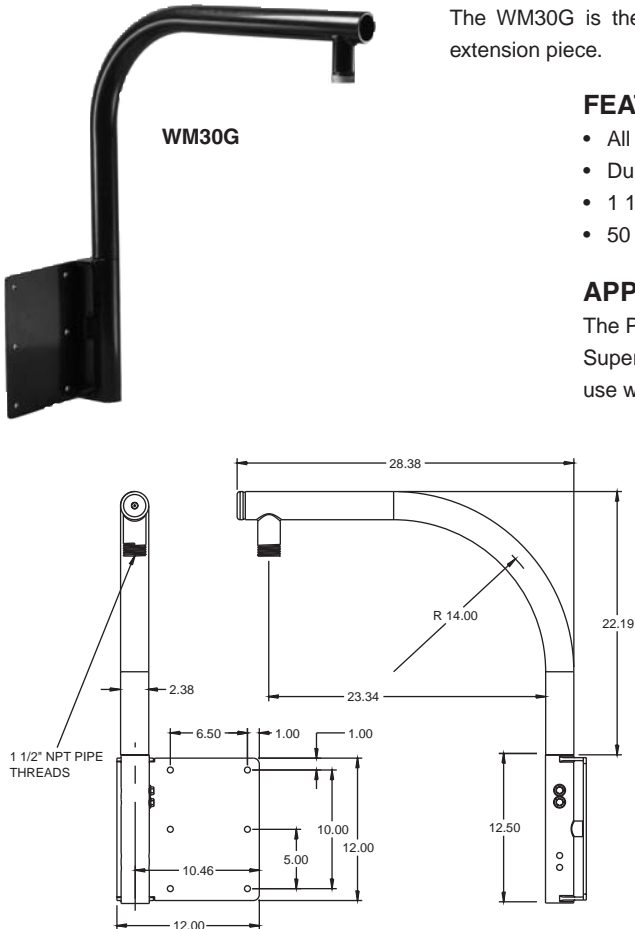
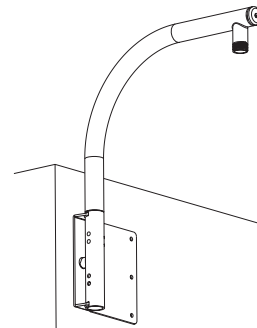
The WM30G is the same as the PRM30G, except that this mount does not include the extension piece.

FEATURES

- All aluminum construction
- Durable powder coat finish
- 1 1/2" pipe thread for quick and easy mounting
- 50 lb load rating

APPLICATIONS:

The PRM30G is designed to be used with pendant mount versions of the SuperDome™, PressurDome™, FusionDome™, and VLPW20. Not for use with the DeputyDome™.



SHIPPING SPECIFICATIONS

Model	Unit Weight	Shipping Weight	Shipping Box Dim.
WM30G		Call manufacturer for details	

* Shipping weights depend on box dimensions.